

**Concealed wall mounting -**

---

35 050 970 90



- red brass, lead-free
- 2x female thread 1/2" connections
- dust cover
- anti-water packing
- soundproofing

**Recommended miscellaneous**

---

**Extension 25 mm -**

12 055 970 90



**Recommended miscellaneous**

---

**Rosette - Chrome**  
•with round rosette

12 720 660-00



**Recommended miscellaneous**

---

**Rosette - Chrome**  
•with angular rosette

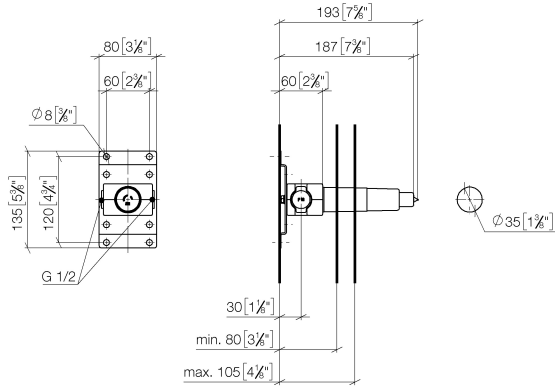
12 720 980-00



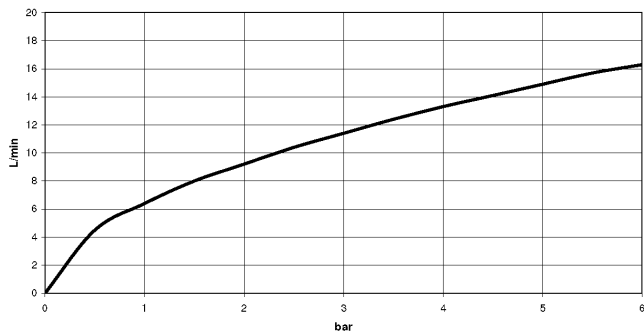
## Concealed wall mounting -

35 050 970 90

mm [inches]



## Flow rate chart

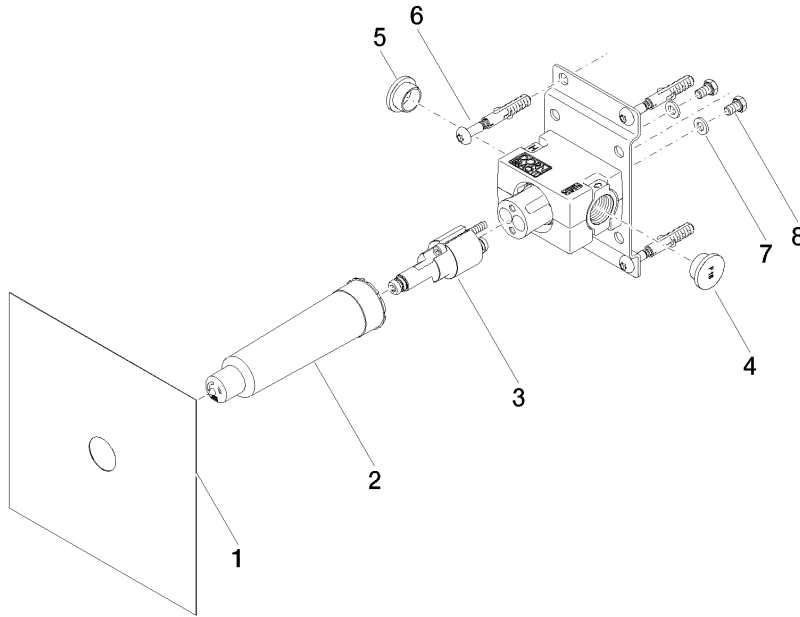


## Certificates

DVGW\_DW-6512DN0126.      WRAS\_2101043.      WRAS\_2011027.

**Concealed wall mounting -**

35 050 970 90



**Spare parts list**

No.	Item Number	Name	Quantity used	Delivery time
1	04 14 03 072 01 90	gasket kit	1	2
2	09 21 02 173 90	cap	1	2
3	90 31 20 116 00 90	plug	1	2
4	09 31 20 094 90	plug	1	2
5	09 31 20 093 90	plug	1	2
6	04 30 31 024 01 90	fixing set	2	2
7	09 30 11 144 90	disc	2	2
8	09 30 30 049 90	screw	2	2